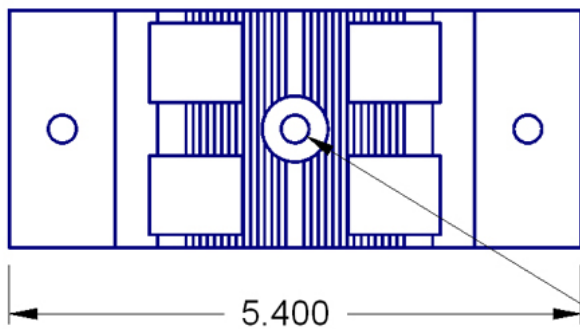


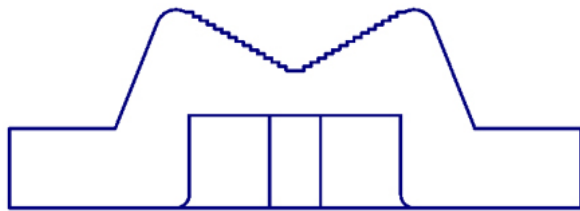
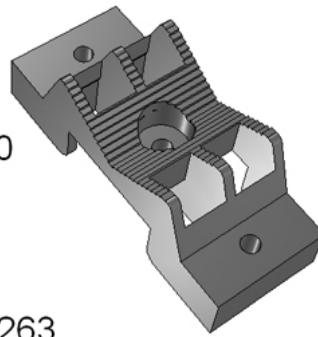
# KwikBlock



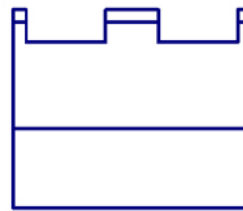
2.250

5.400

Ø .263  
FOR 1/4" SCREW



1.875



### Kwik Block #KB5400

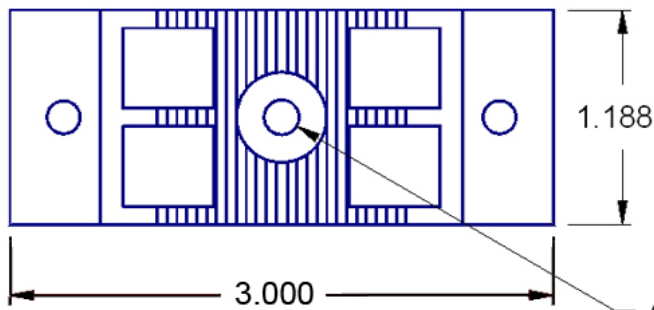
Large Kwik Block with side mounting ears that fits a 2x6 stud wall

Long: 5 + 3/8"

Wide: 2 + 1/4"

High: 1 + 7/8"

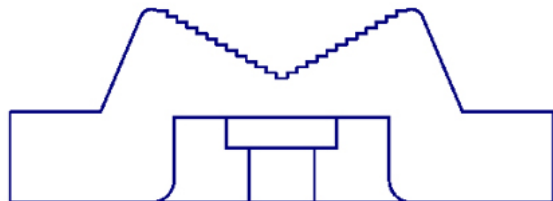
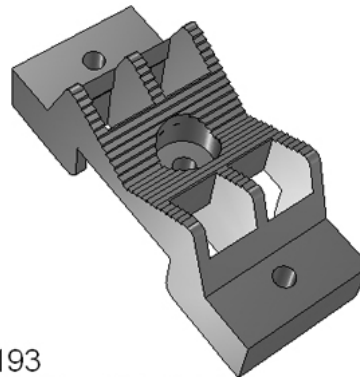
*Holes allow for 1/4" screw or bolt*



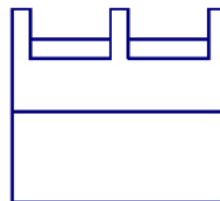
1.188

3.000

Ø .193  
FOR No. 10 SCREW



1.070



### Kwik Block #KB3000

Small Kwik Block with side mounting ears

Long: 3"

Wide: 1 + 1/8"

High: 1"

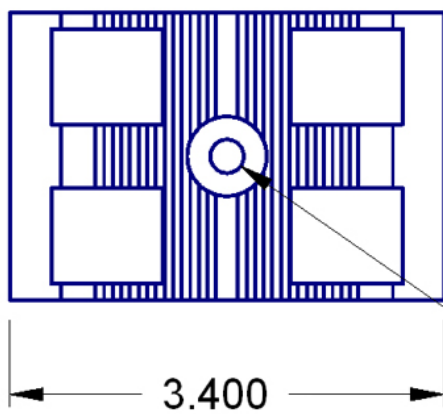
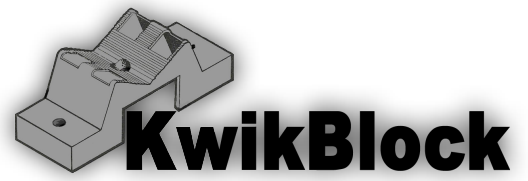
*Holes allow for 1/8" screw or bolt*

193 Carlos Ave, Rogue River, Oregon 97537

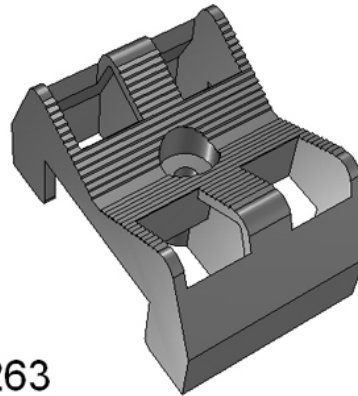
(541) 582 4187

[www.KwikBlock.com](http://www.KwikBlock.com)





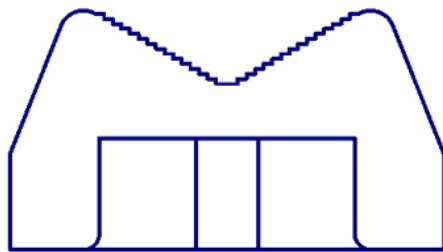
2.250



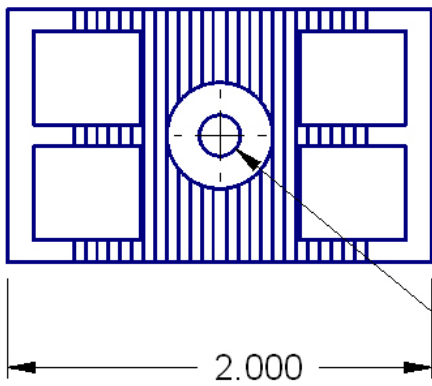
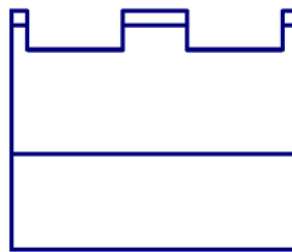
Ø .263  
FOR 1/4" SCREW

**Kwik Block #KB3400**

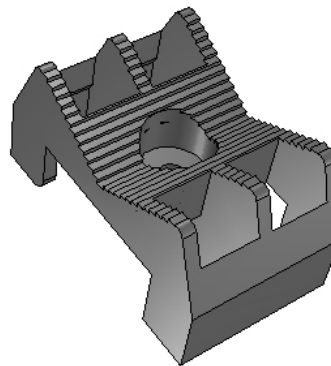
Large Kwik Block having single hole in center and no side mounting ears that fits a 2x4 stud wall  
Long: 3 + 3/8"  
Wide: 2 + 1/4"  
High: 1 + 7/8"  
*Holes allow for 1/4" screw or bolt*



1.875



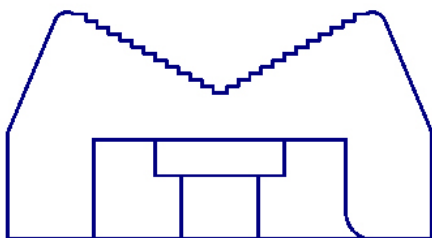
1.188



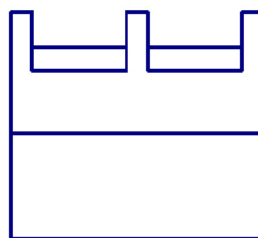
Ø .1930  
FOR No. 10 SCREW

**Kwik Block #KB2000**

Small Kwik Block having single hole in center and no side mounting ears  
Long: 2"  
Wide: 1 + 1/8"  
High: 1"  
*Holes allow for 1/8" screw or bolt*



1.070



193 Carlos Ave, Rogue River, Oregon 97537 (541) 582 4187

[www.KwikBlock.com](http://www.KwikBlock.com)

